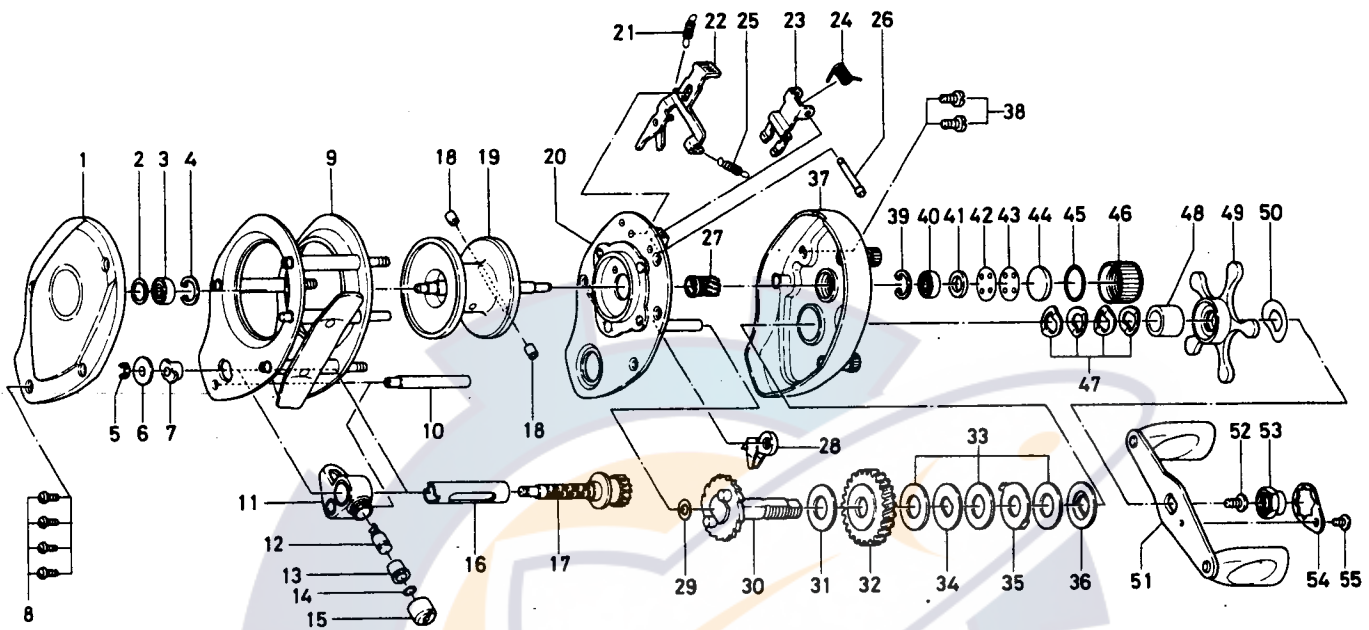


BAITCASTING REEL **SM-2**



Key No.	Parts No.	Parts Name	Key No.	Parts No.	Parts Name
1	6-760-4501	Left side cover	29	6-373-7611	Gear shaft washer A
2	6-375-8501	Ball bearing washer A	30	6-720-2001	Gear shaft
3	6-637-4601	Ball bearing	31	6-374-9302	Gear shaft washer B
4	6-320-6501	Ball bearing ret. ring	32	6-413-8801	Drive gear
5	6-320-5901	Worm shaft retainer	33	6-374-9305	Drag washer A
6	6-376-1801	Worm shaft holder washer	34	6-374-9401	Drag washer B
7	6-022-2201	Worm shaft holder	35	6-375-8701	Drag washer C
8	6-352-4221	Left side cover screw	36	6-376-0001	Drag washer D
9	6-760-4601	Frame	37	6-760-4401	Right side cover
10	6-051-4701	Frame post	38	6-353-1701	Right side cover screw
11	6-782-8801	Line guide	39	6-320-6501	Ball bearing ret. ring
12	6-121-4211	Line guide pin	40	6-637-4601	Ball bearing
13	6-022-2901	Line guide pin holder	41	6-502-0901	Ball bearing washer B
14	6-375-4100	Line guide washer	42	6-373-7502	Ball bearing ret. washer A
15	6-342-4801	Line guide nut	43	6-373-7500	Ball bearing ret. washer B
16	6-637-1201	Worm shield	44	6-374-7221	Rubber washer
17	6-711-5101	Worm shaft	45	6-170-6701	"O" ring
18	6-500-8011	Brake collar	46	6-342-1002	Right spool cap
19	6-733-0901	Spool	47	6-150-8901	Spring washer
20	6-782-3401	Set plate	48	6-502-0801	Spacing sleeve
21	6-144-8601	Clutch lever spring A	49	6-780-9804	Star drag
22	6-782-3501	Clutch lever	50	6-150-9001	Handle washer
23	6-041-4301	Clutch stopper plate	51	6-747-1701	Handle
24	7-144-8801	Clutch stopper plate spring	52	6-353-0701	Handle screw
25	6-144-8701	Clutch lever spring B	53	6-341-5801	Handle nut
26	6-121-9701	Clutch stopper plate pin	54	6-040-3201	Handle nut plate
27	6-750-6401	Pinion gear	55	6-353-8301	Handle nut plate screw
28	6-770-1801	Anti-reverse claw			